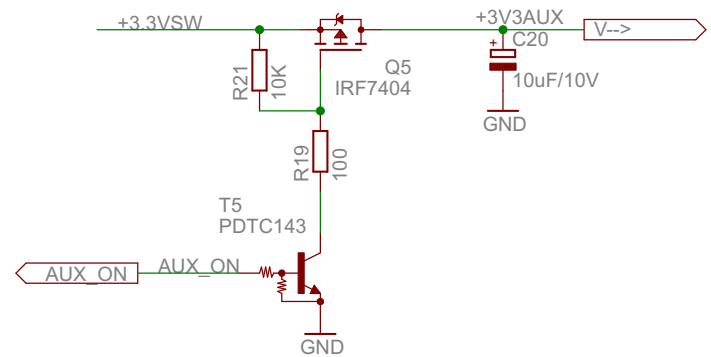
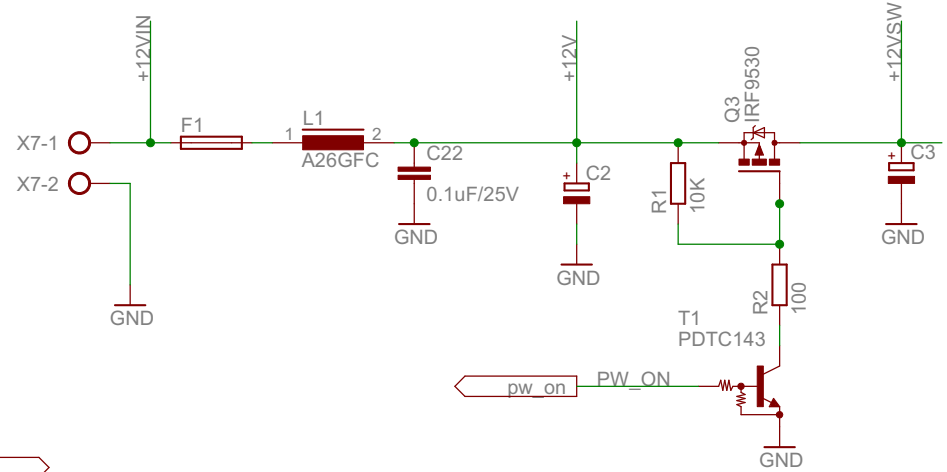
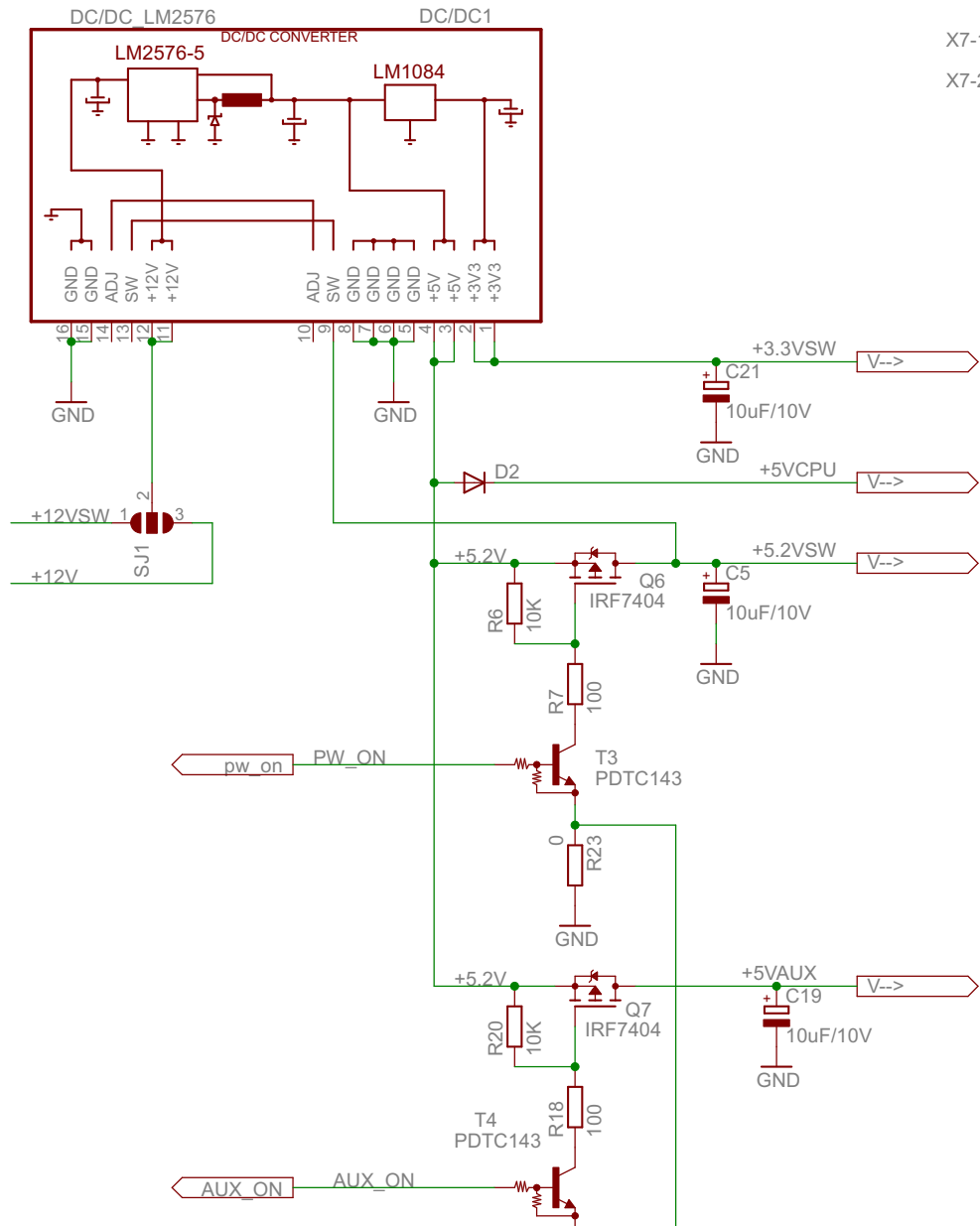


Block		
TITLE: main_board_t		
Document Number:	Ifrimv	REV:
Date: 18/11/2016 22:12:34	Sheet: 1/3	



Power Control

TITLE: main_board_t

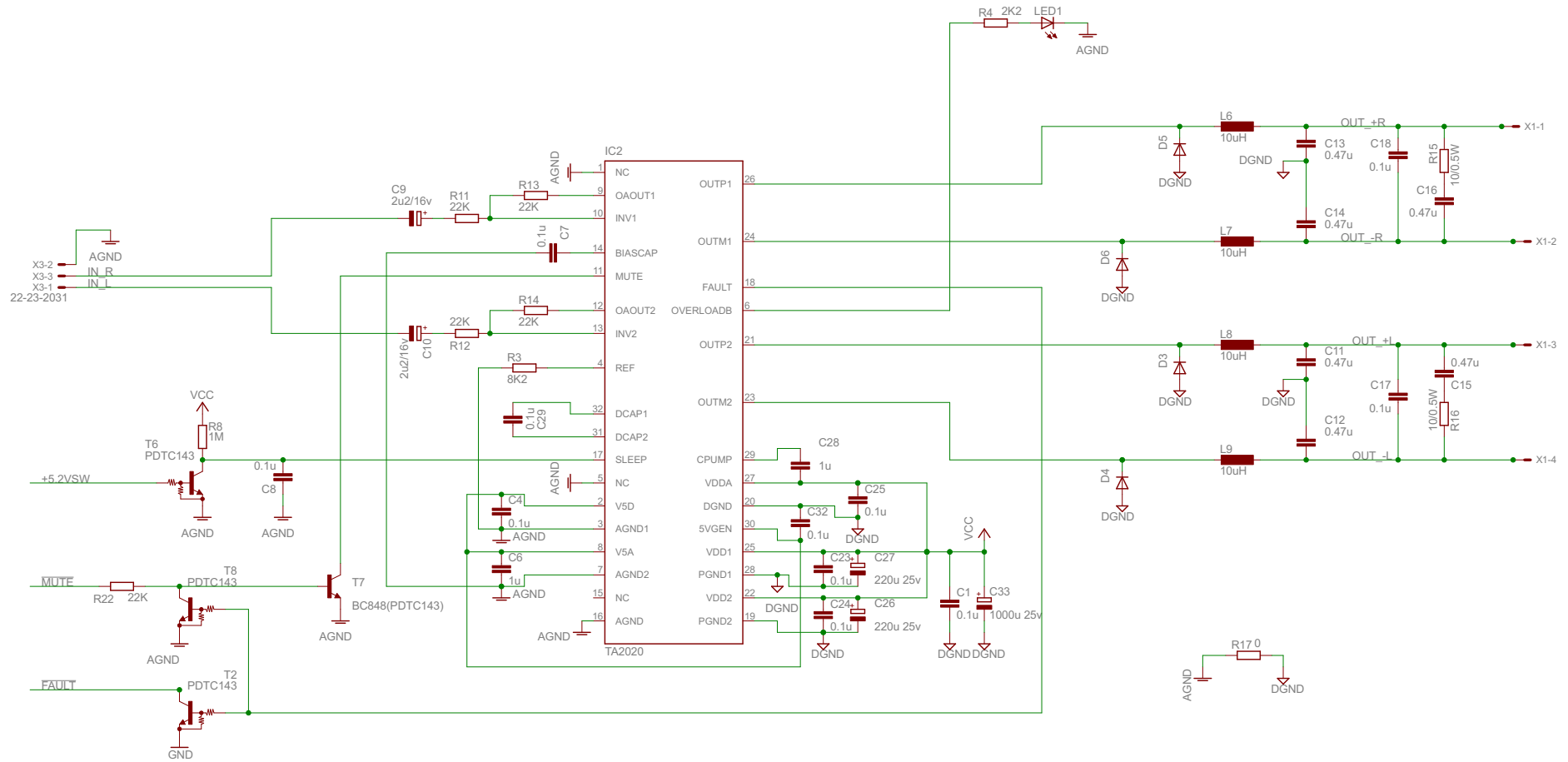
Document Number:

Ifrimv

REV:

Date: 18/11/2016 22:12:34

Sheet: 2/3



Audio Power

TITLE: main_board_t

Document Number:

Ifrimv

REV:

Date: 18/11/2016 22:12:34

Sheet: 3/3