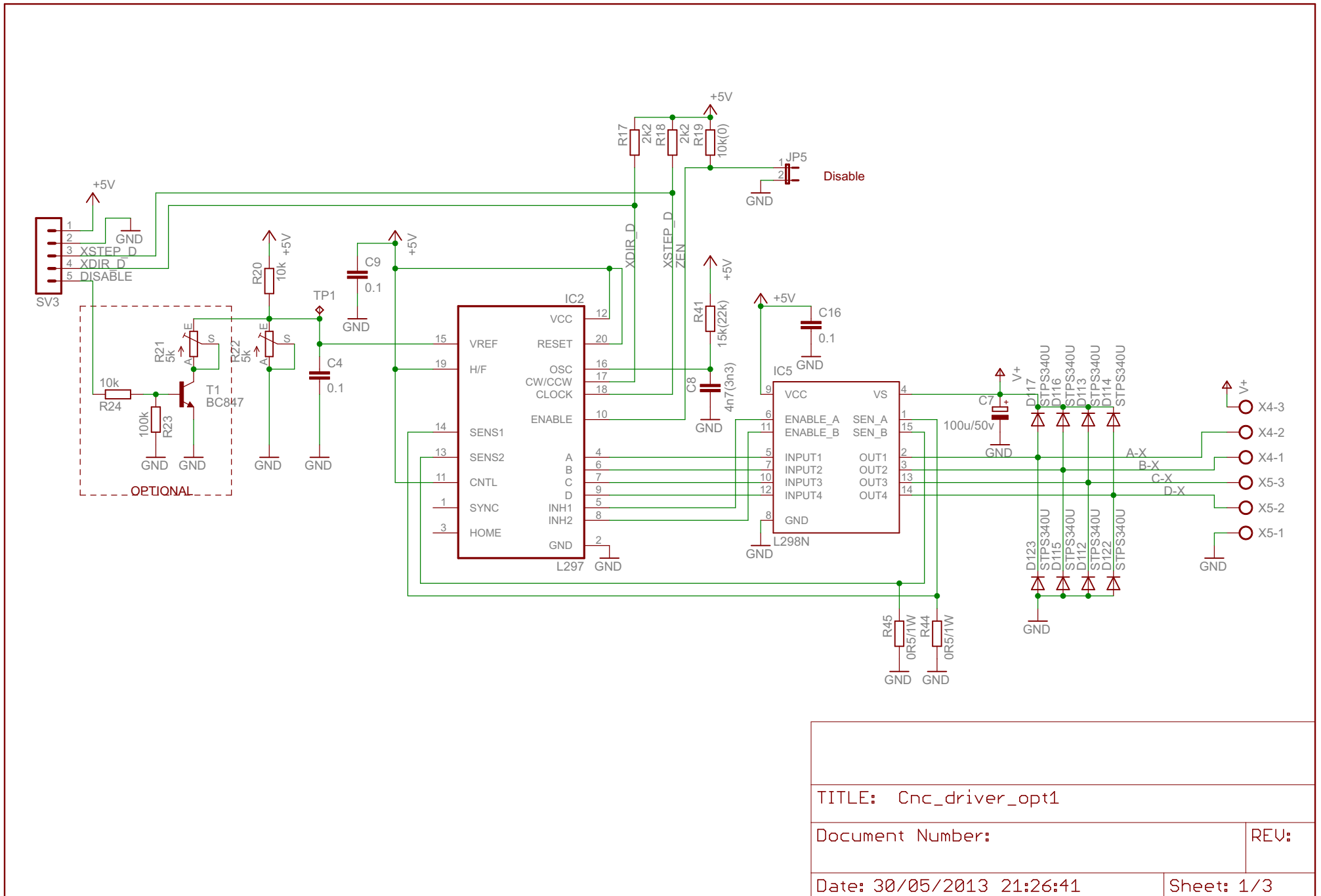


CNC 3 AXIS DRIVER BOARD



TITLE: Cnc_driver_opt1

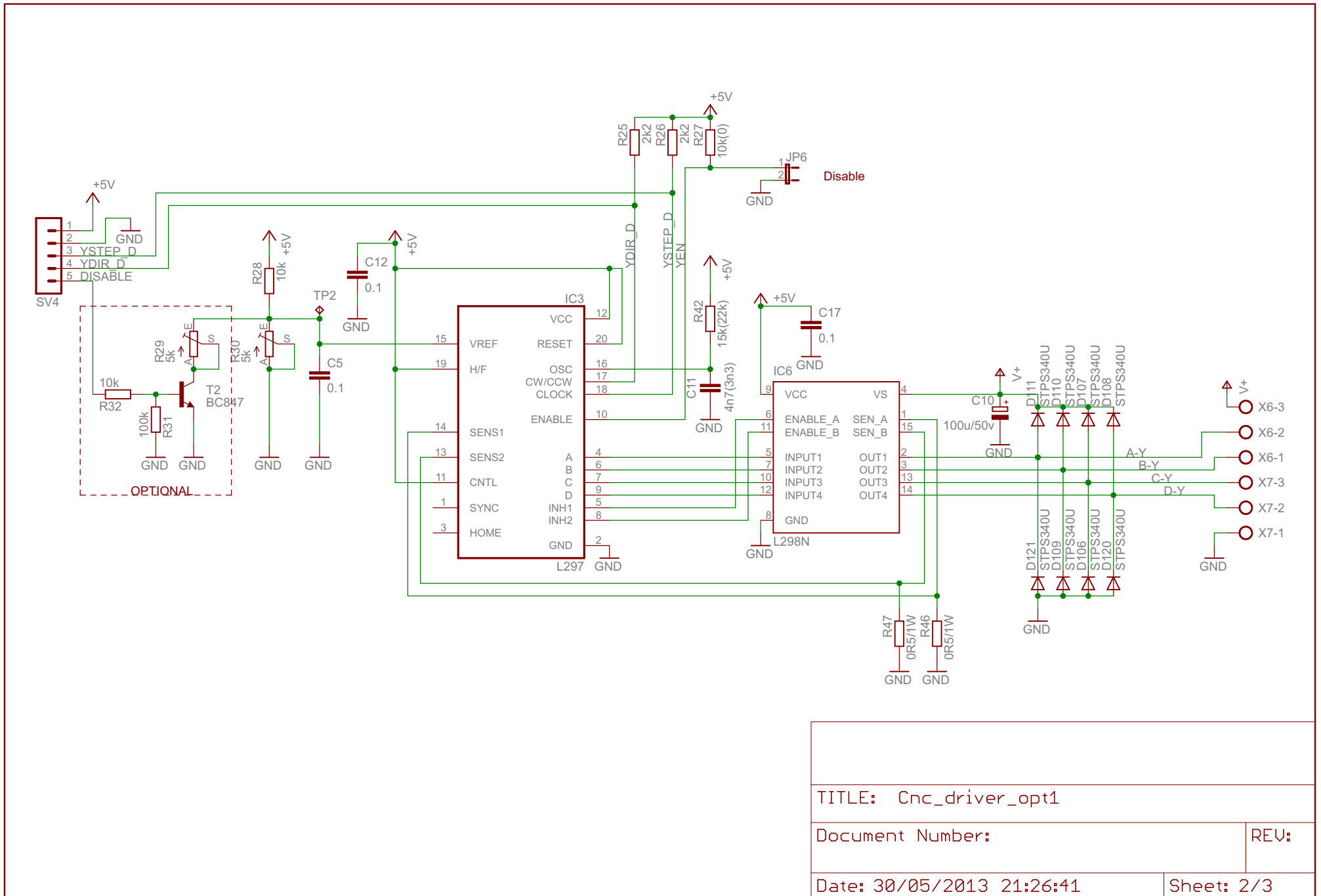
Document Number:

REU:

Date: 30/05/2013 21:26:41

Sheet: 1/3

CNC 3 AXIS DRIVER BOARD



TITLE: Cnc_driver_opt1

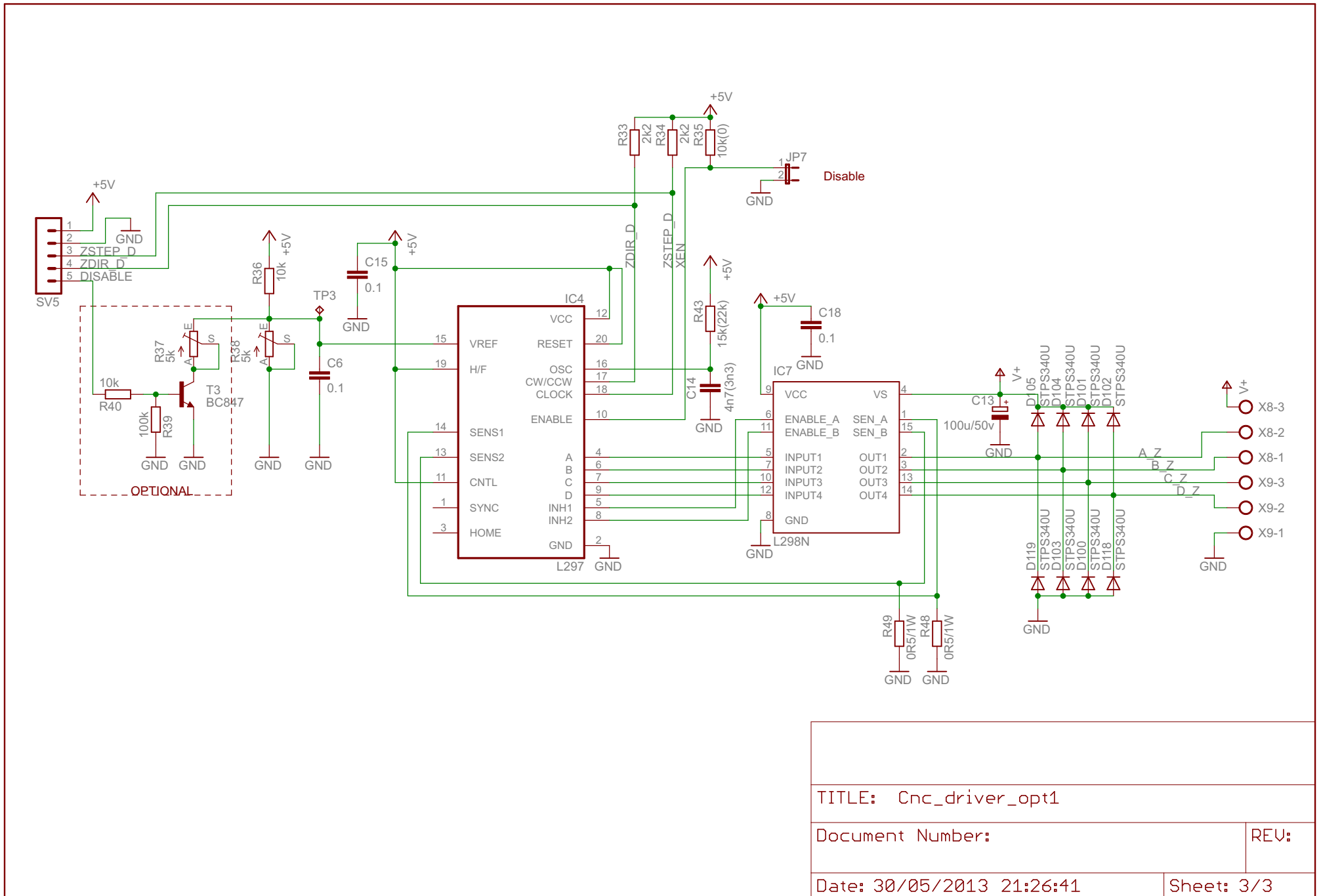
Document Number:

REU:

Date: 30/05/2013 21:26:41

Sheet: 2/3

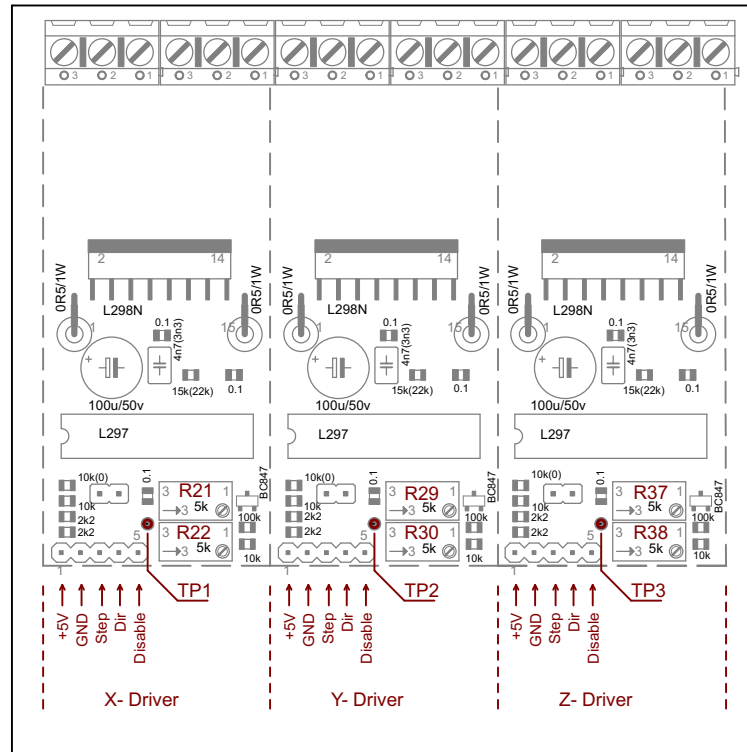
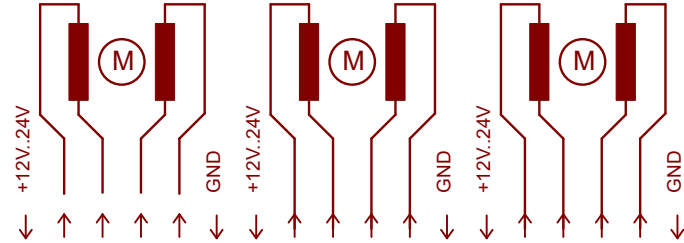
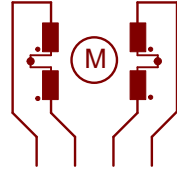
CNC 3 AXIS DRIVER BOARD



TITLE: Cnc_driver_opt1	
Document Number:	REU:
Date: 30/05/2013 21:26:41	Sheet: 3/3

CNC 3 AXIS DRIVER BOARD

Unipolar Motor Connection



CNC 3 AXIS DRIVER BOARD

