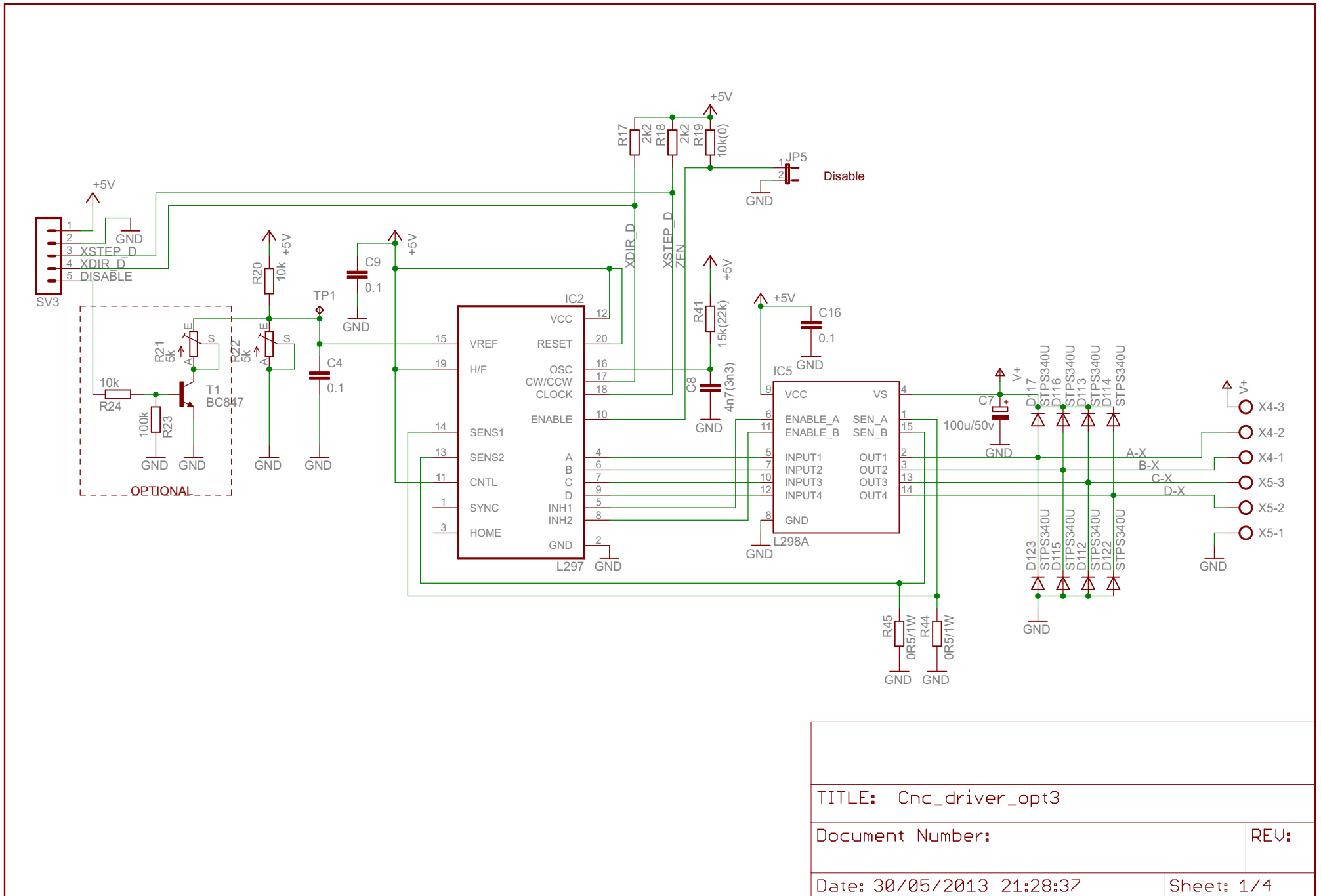
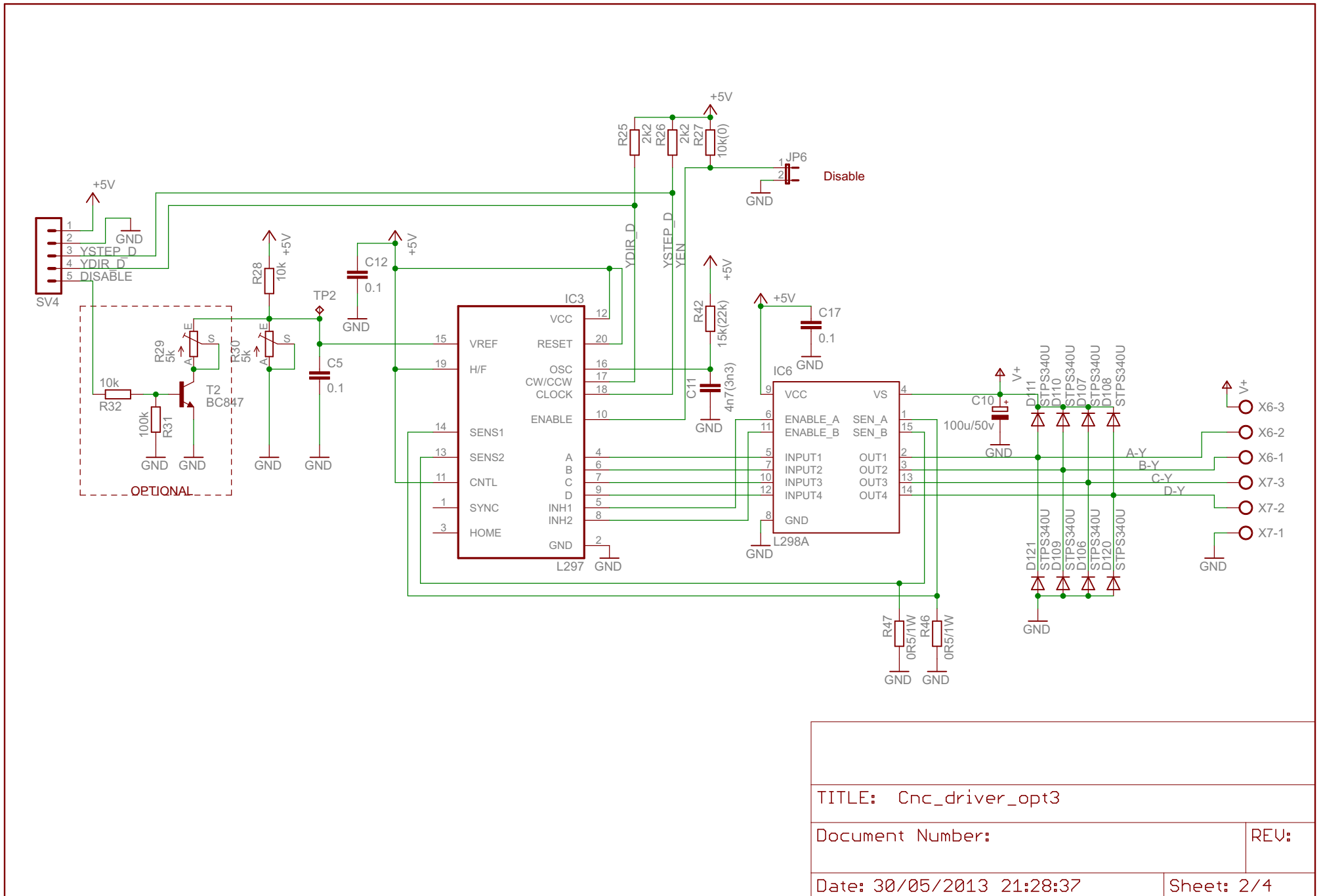


CNC 3 AXIS DRIVER BOARD



CNC 3 AXIS DRIVER BOARD



TITLE: Cnc_driver_opt3

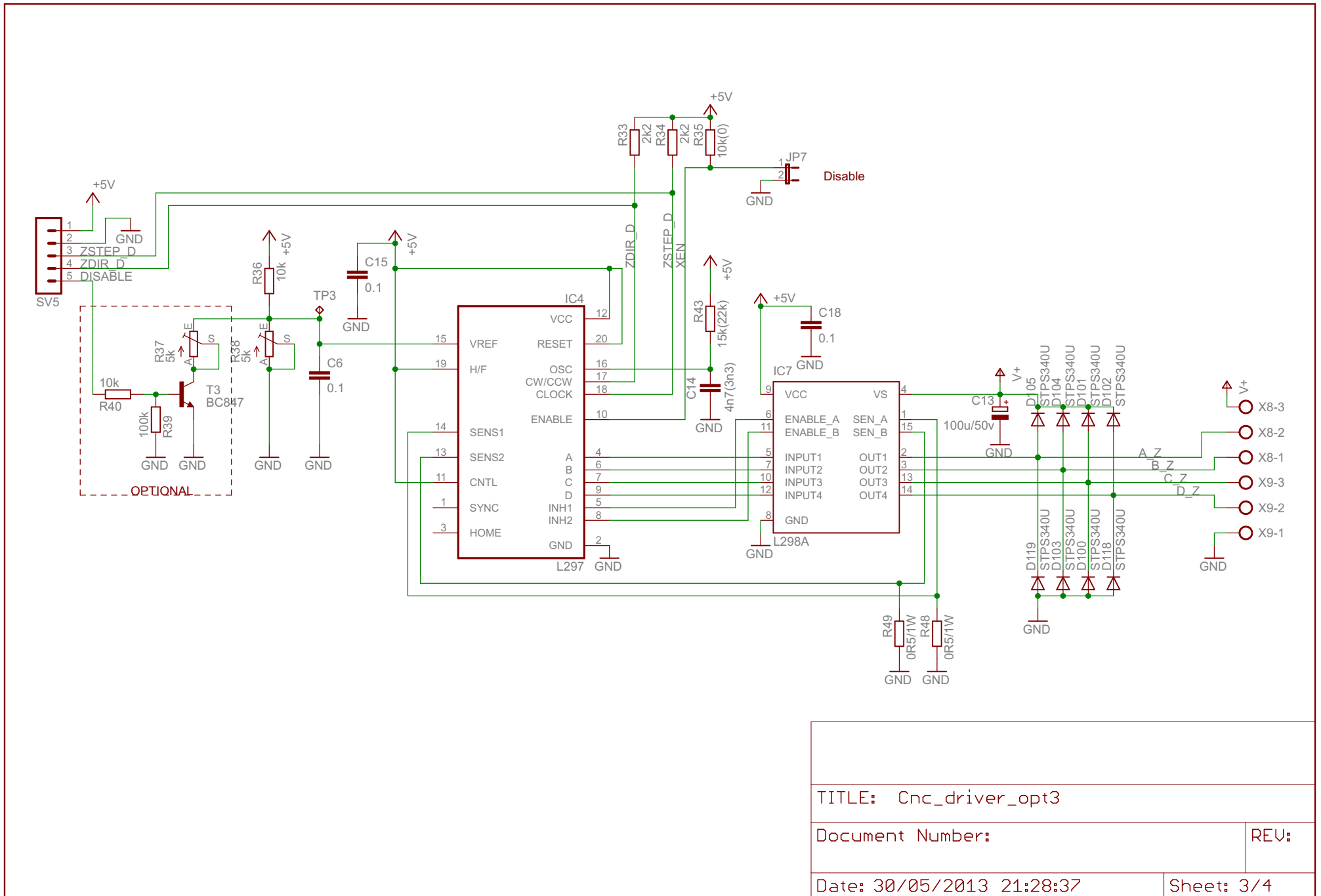
Document Number:

REU:

Date: 30/05/2013 21:28:37

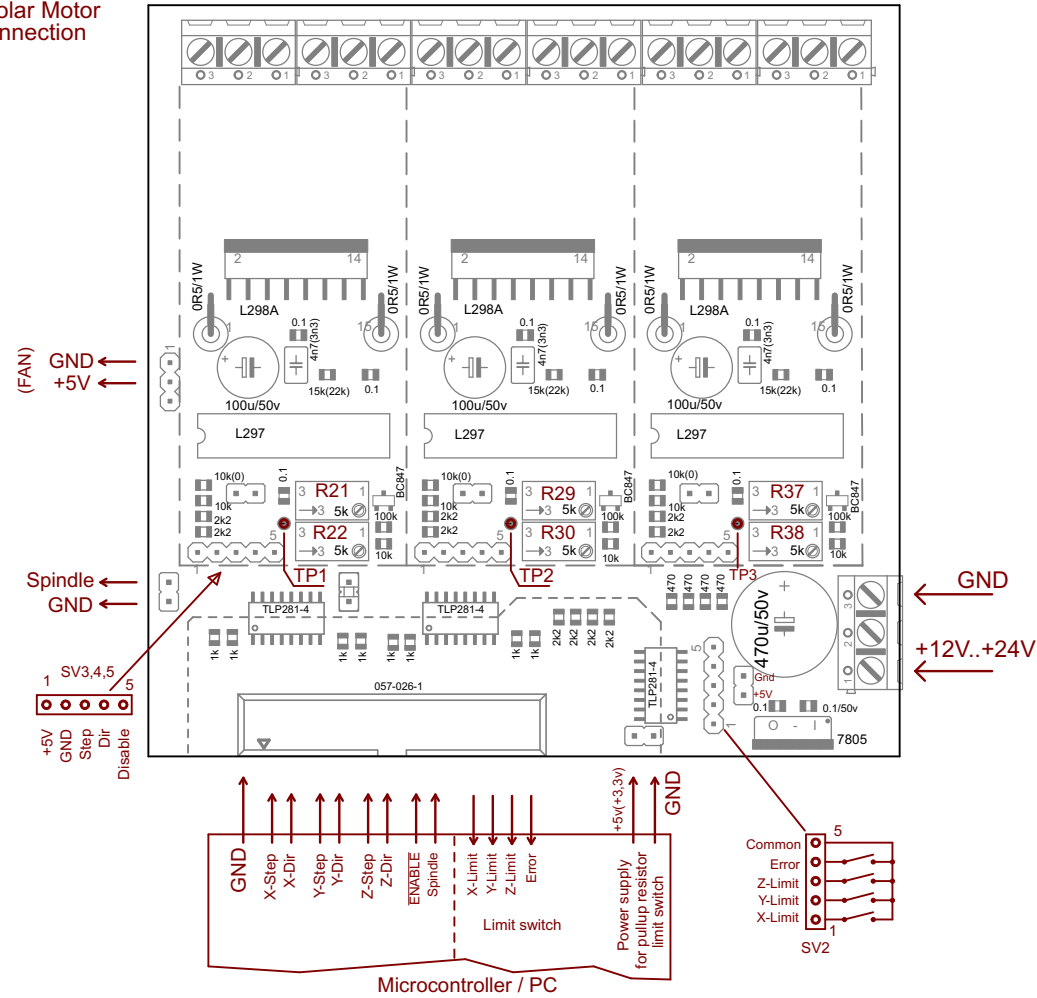
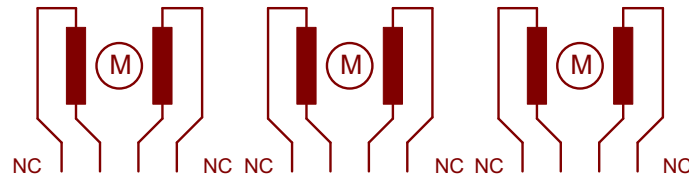
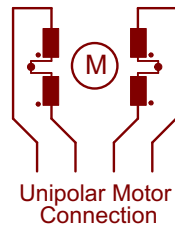
Sheet: 2/4

CNC 3 AXIS DRIVER BOARD



TITLE: Cnc_driver_opt3	
Document Number:	REU:
Date: 30/05/2013 21:28:37	Sheet: 3/4

CNC 3 AXIS DRIVER BOARD



CNC 3 AXIS DRIVER BOARD

