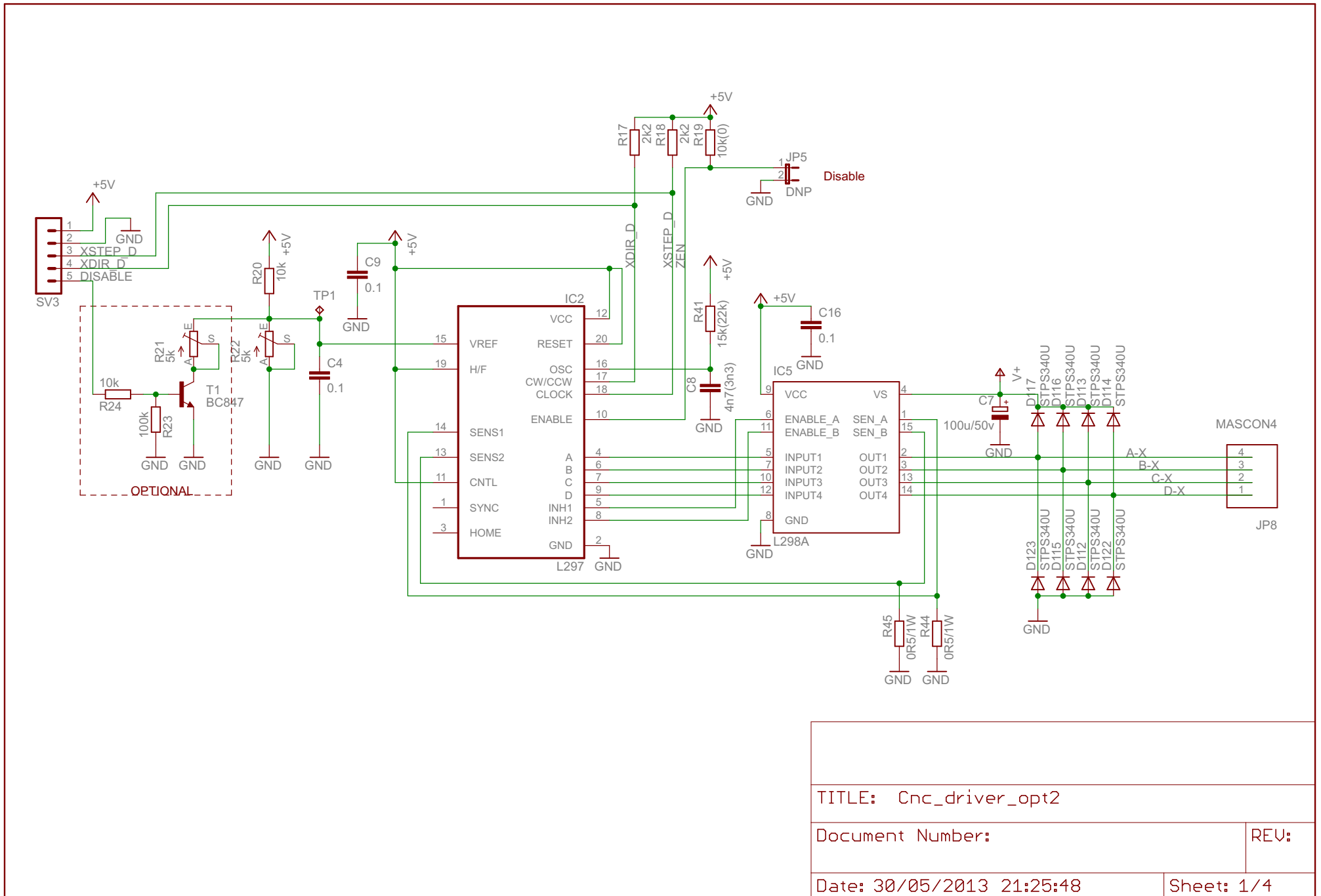


# CNC 3 AXIS DRIVER BOARD



TITLE: Cnc\_driver\_opt2

Document Number:

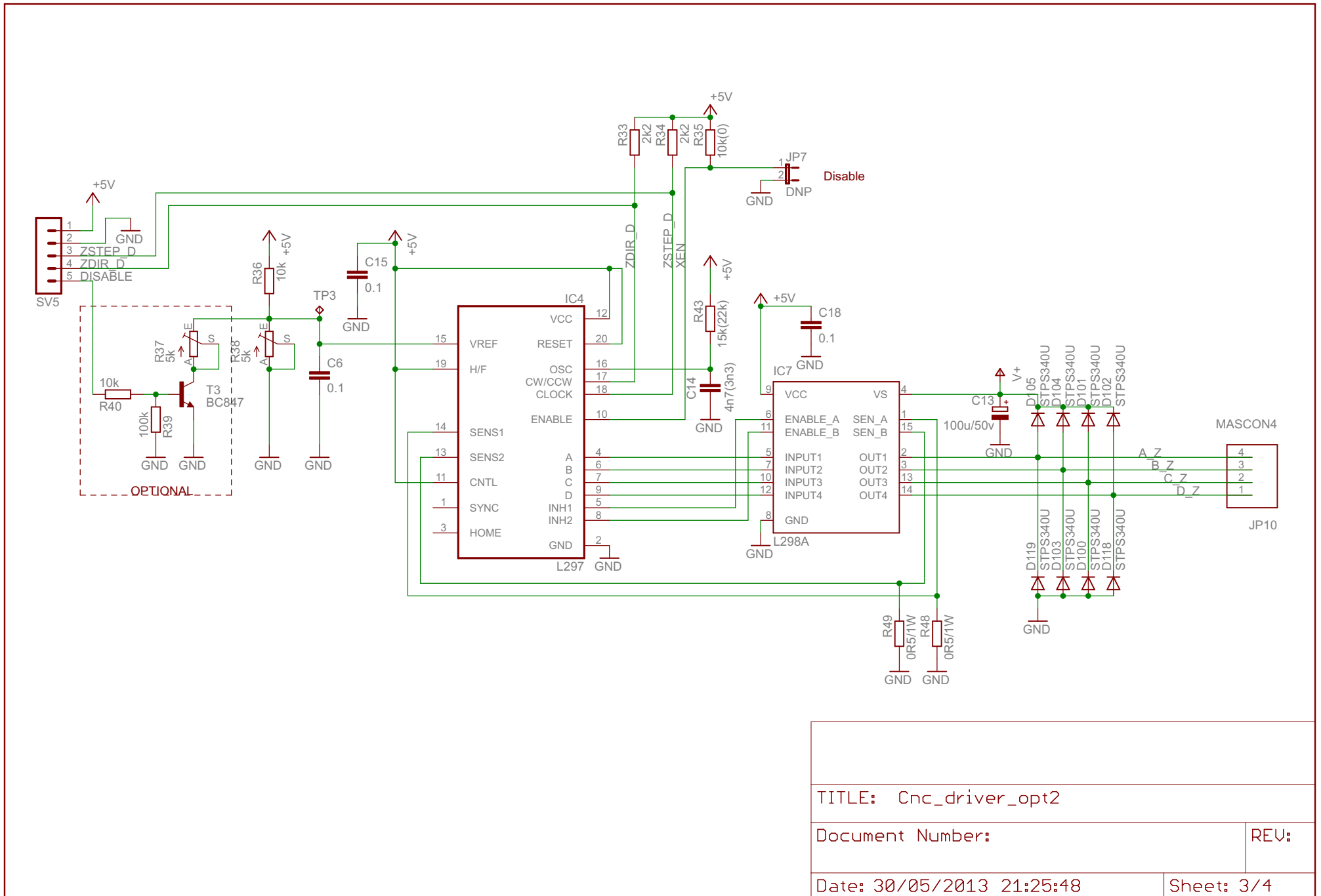
REU:

Date: 30/05/2013 21:25:48

Sheet: 1/4



# CNC 3 AXIS DRIVER BOARD



TITLE: Cnc\_driver\_opt2

Document Number:

REU:

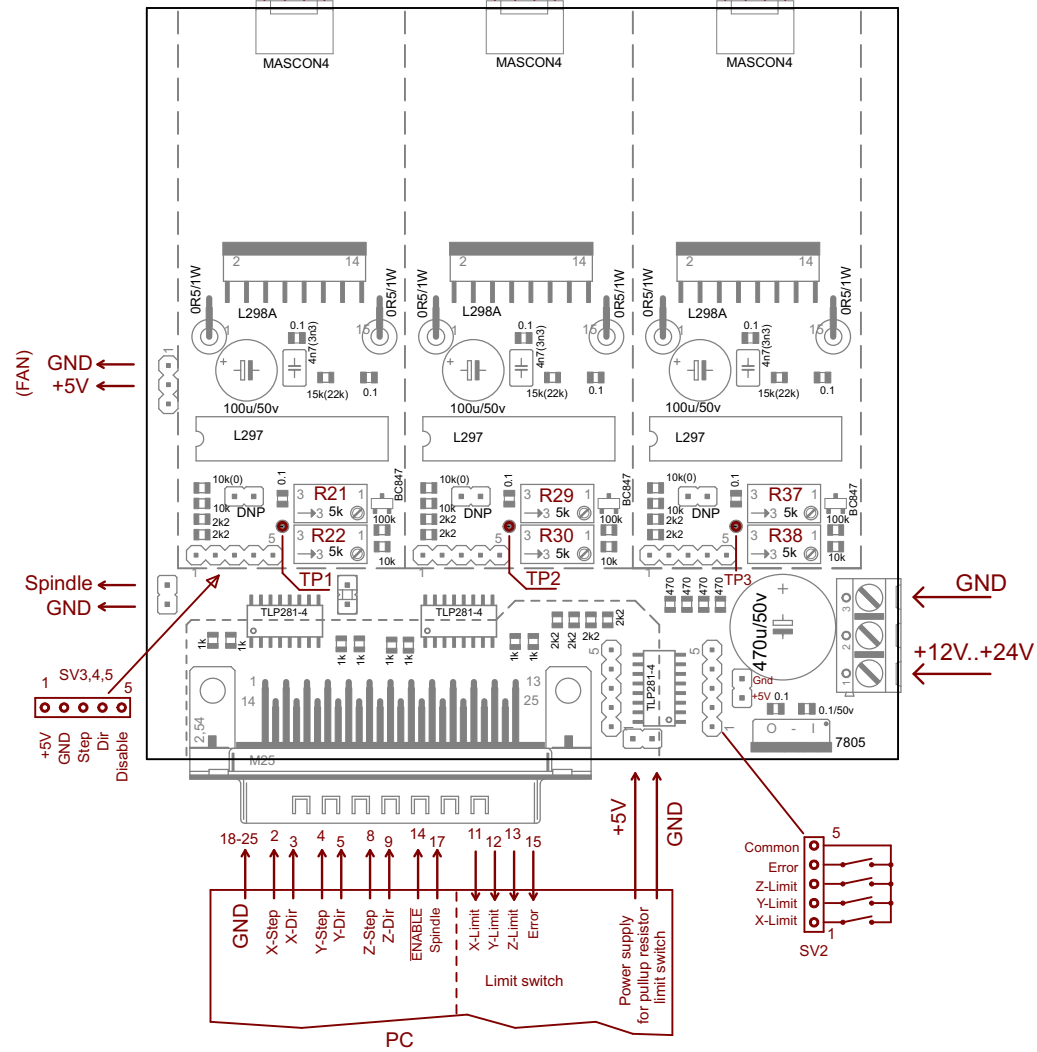
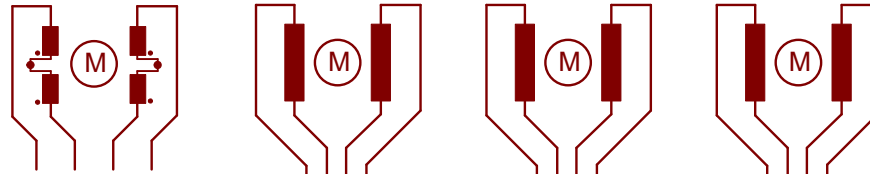
Date: 30/05/2013 21:25:48

Sheet: 3/4



# CNC 3 AXIS DRIVER BOARD

Unipolar Motor Connection



# CNC 3 AXIS DRIVER BOARD

